

SOLERO PRESTO

330X330 CM AND Ø400 CM

Presto Italian for 'quick', the newest edition to the Solero hospitality parasols lives up to its name. With the unique easy-turn system the Presto is opened in a flash.

Collapsing it is even done almost fully automatic. As soon as you release the button, the Presto parasol instantly slides back into its closed position. An ideal solution for the hospitality industry, it truly helps you get home quickly after a long day of work!

The biggest advantage of the Presto is the closing height, this is the distance from the ribs to the ground. The Presto has a telescopic frame that's often used in hospitality, allowing the sunshade to essentially rise up the moment it's closed. This allows tables and chairs to remain under the sunshade when it's closing.

Using just two fingers you can open and close this sunshade, ideal for hospitality where everybody needs to be able to open or close the sunshade. We're definitely not forgetting about the users who have less strength in their hands, the Presto is definitely a good choice for this group of users as well.

With the easyturn knob you'll really open the sunshade in just 2 seconds. Closing it is almost automatic. As soon as you turn the knob back, the Presto sunshade will slide into the closed position. The Solero Presto is delivered with a robust mast of 63mm with a chic silver gray finish.

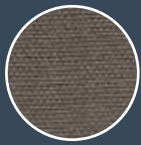
The special colorfast canvas of the Presto is, just like our other canvases, outfitted with a water repellent coating. The Presto sunshade is also 100% recyclable. Good for the environment, and great protection for you. The canvas has a UPF value of 50+. Of course you'll receive a protective cover with your sunshade to be able to store it safely on the moments you're not using it.



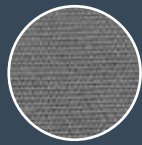
18 kg	330x330	ø400
A	285 cm	280 cm
B	218 cm	213 cm
C	342 cm	357 cm
D	102 cm	140 cm



Off White
40



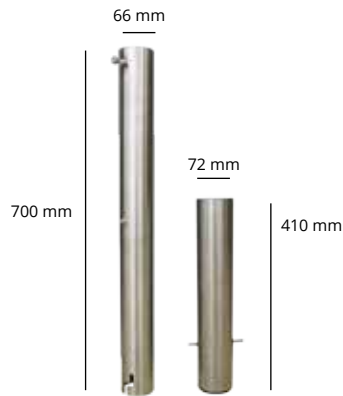
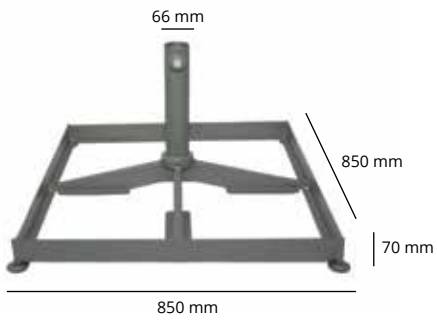
Taupe
144



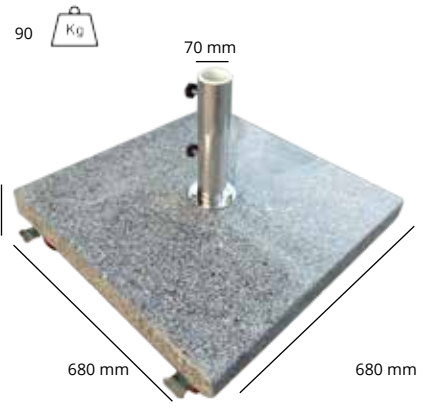
Antracite
197



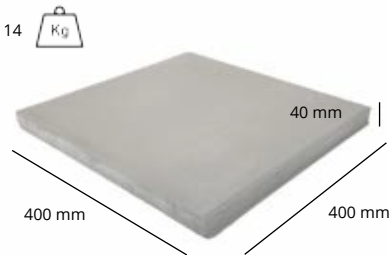
Black
150



Ground anchor



Marble base



100 mm

Base is suitable for 8 tiles from 45 to 50 cm.

4x swivel wheels optional



Specifications	
Free protection cover	✓
Cantilever parasol	x
Central Pole	✓
Telescopic system	✓
Light included	x
Fade-resistant cloth	✓
Pole in two parts	✓
Tiltable	x
With rotating device	x
Side inclination	x
Valance	x
Operating system	Easy-turn system
Weight cloth per m2	300 gram
Integrated rib ends	✓
Number of ribs	8
Closes over the table	✓
Pole diameter	65 mm
Possibility of printing logo	✓



Item number	Description	Price in € excl. VAT	Price in € incl. VAT
533.33.color	Presto 330x330 cm	643,80	779,00
533.40.color	Presto ø 400 cm	643,80	779,00
533.51.70	Tile base Presto	197,52	237,00
533.50.70	Groundanchor Presto	161,16	195,00
533.92.01	Marble base 90 kg incl wheels	288,43	349,00
535.64.99	Swivel wheels 4 pieces	74,38	90,00