



SOLERO® CIELO PRO

The Solero Cielo Pro **260x260 cm** just belongs at home in your garden. This heavy, cantilever parasol has a 260cm*260cm diameter. With its innovative control system you can open or collapse this quality parasol in a flash.

It's very easy to put this parasol into different skewing positions, without having to use the least bit of force. The firm base of the Cielo parasol is equipped with a clever turning mechanism. You can rotate this garden parasol easily and in 360 degrees by simply pressing the foot pedal. By releasing this pedal, this handy floating parasol will be automatically locked in its position.



EXTEND THE COSINESS

With the Cielo Pro comes the Solero Accento. This fantastic Solero Accento is provided with a charger. Using this, you can charge high quality batteries in a matter of hours. With the Cielo Pro parties can last longer, and it'll remain cozy for much longer.

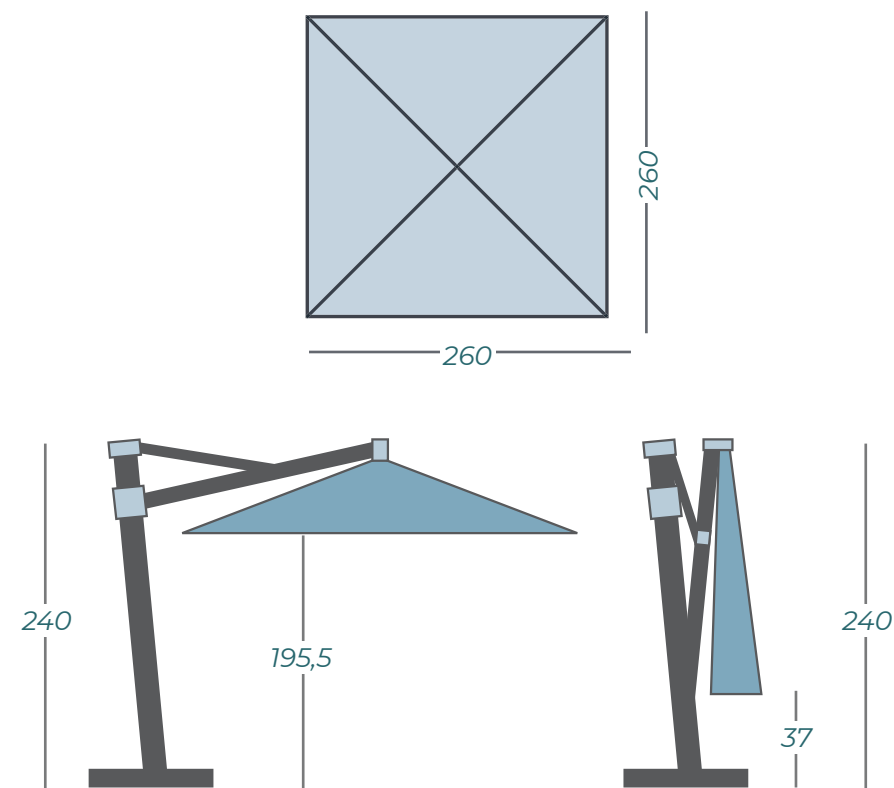
PLENTY OF SHADE

The Cielo Pro by default is delivered with a set of free cross feet. Would you like to anchor the parasol on your patio? In that case you can order the special ground anchor.

BLACK STAYS BLACK

The canvas is made of a durable heavy quality and is guaranteed colorfast. Black will remain deep black, even after several years. Every fiber is colored individually before being weaved. On top of that, we'll provide you with a gray protective cover for your parasol, free of charge.

DIMENSIONS*



CHOOSE FROM 4 CLOTH COLOURS



PEARLY WHITE
.42



PLATINUMGRAY
.177



TAUPE
.144



BLACK
.150

*These dimensions were measured without base or ground anchor

SPECIFICATIONS & PRICES



DELIVERY FROM STOCK*

Item number	Description	Price in € excl. VAT	Price in € incl. VAT	Specifications
826.28.colour	Cielo Pro Sunshade	533,06	645,-	Free protectioncover yes
826.26.888	Cielo Pro Cross base	Free with purchase	Free with purchase	Cantilever sunshade yes
832.33.99	Laterna Pro tile base + Cielo adaptation plate	180,99	219,00	Central pole no
835.50.994	Set of 4 castors 50 mm black	62,00	75,02	Telescopic system no
530.17.50	Cielo Pro Ground anchor	78,51	95,-	Light included yes
532.13.50	Dig-in base Cielo Pro	119,83	145,-	Fade-resistant cloth yes
535.24.54	Accento click-on light	Free with purchase	Free with purchase	Pole in two parts no

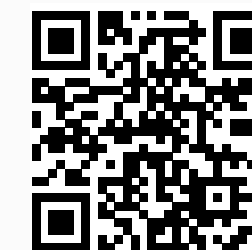
Lighting and heating can be found on pages 72-77
Images of feet and anchors can be found on pages 86-87

A REFRESHING FRAME COLOUR



SILVERGREY

VIDEO



Free protectioncover	yes
Cantilever sunshade	yes
Central pole	no
Telescopic system	no
Light included	yes
Fade-resistant cloth	yes
Pole in two parts	no
Tiltable	yes
With rotating device	yes
Side inclination	no
Valance (without add. costs)	no
Operating system	Winch
Weight cloth per m ²	300 grams
Integrated rib ends	no
Number of ribs	8
Closes over the table	no
Pole diameter	65 mm

*While stocks last