



## SOLERO® P6 PRO

The Solero Prostor is much more than just a parasol, it's an easily retractable canopy with a lot of features. The setup consists of a central pole which can accommodate up to four parasols. Using the patented control system, including a gas spring, the parasols are easily collapsed. You can open or collapse every cloth individually. Possible sizes are **250x250 cm, 300x300 cm, 350 cm round** or **420 cm round**

Solero P6 Pro comes with a sound aluminum mast that allows 1, or up to 4 canvases to be mounted. Opening and closing is as simple as it's genius. With the one-move system the parasol slides into the open position. You don't have to be really strong to open this! The canvas is 100% acrylic and is painted in mass, it weighs 290 grams per square meter and has a colorfastness of 7-8 on a scale of 8. Acrylic is water resistant and filters out 95-100% of UV radiation, expressed as UPF 50+. The canvas is washable and if necessary easy to replace.



## A PUSH IN THE RIGHT DIRECTION

The controls are extra light thanks to the stainless steel gas spring that compensates the weight of the parasol. Do you want to use the parasol in a wet- or sea climate? No problem, that's what the stainless steel gas spring is designed for.

## ON THE GROUND OR ON THE WALL

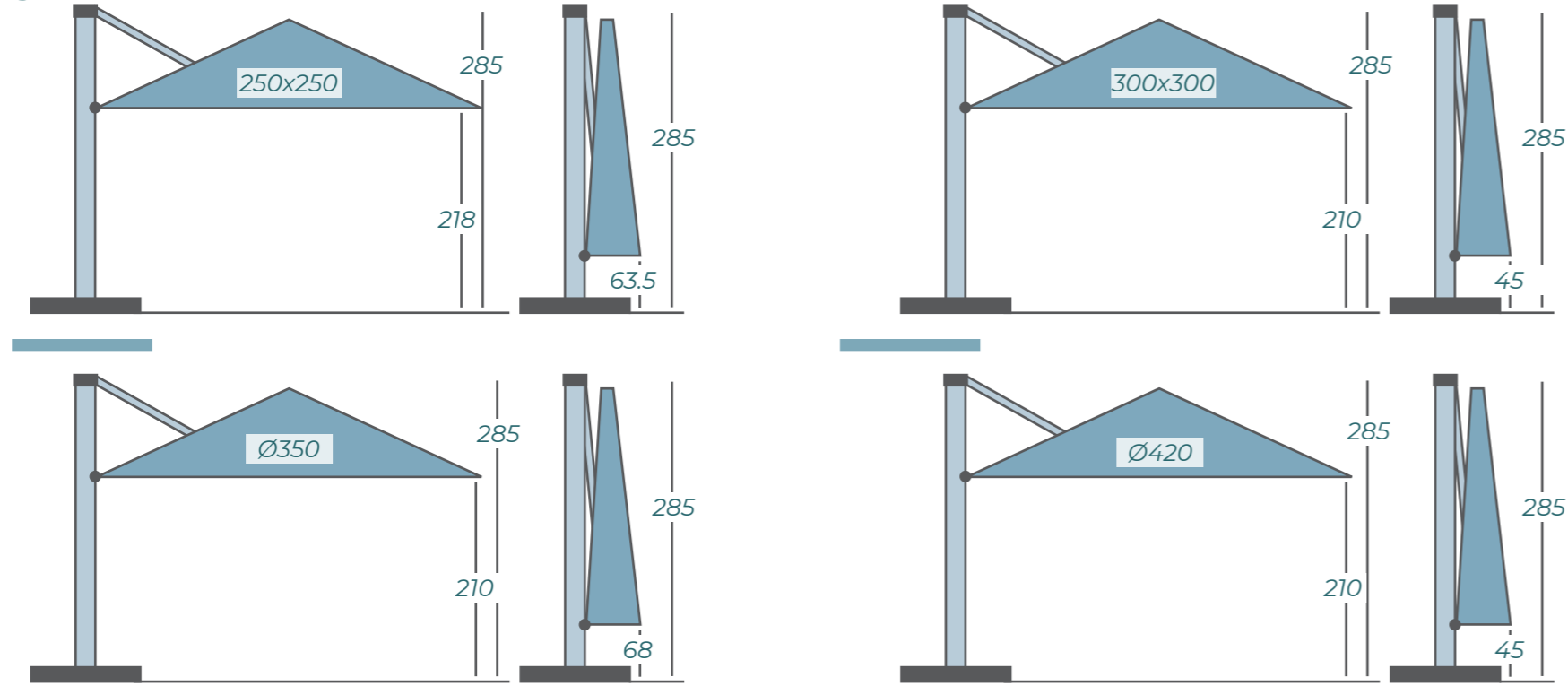
This parasol is available as a wallmounted parasol in single or dual variations. The pole can be easily mounted to the wall with 2 brackets. That way you can enjoy a stylish parasol with a pole or tile pedestal. Unfortunately this isn't possible for our round variations. The framework for this parasol is RAL 9007 by default, this is a gray structured lacquer as shown in the photo. It's possible to get a black or white frame in case you need it, but this will have an additional cost and a longer lead time. You'll have the choice of RAL 9016 (white matte) or RAL 9005 (black, matte), Alucopper and Alupolished.



## FLEXIBLE IN THE HIPS

Move your parasol around effortlessly thanks to the swiveling wheels with brakes, this is only available for the P6 Uno parasol. Optional for the Prostor p6 tile pedestal is an aluminum cover, lacquered in the pole's color for a tile pedestal of 90x90 or 100x100 cm.

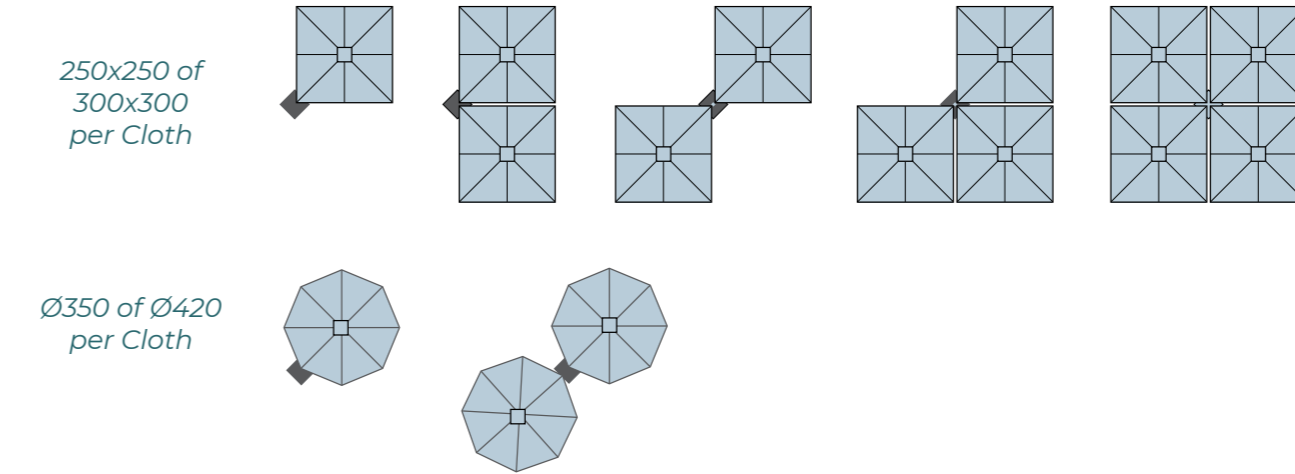
## DIMENSIONS



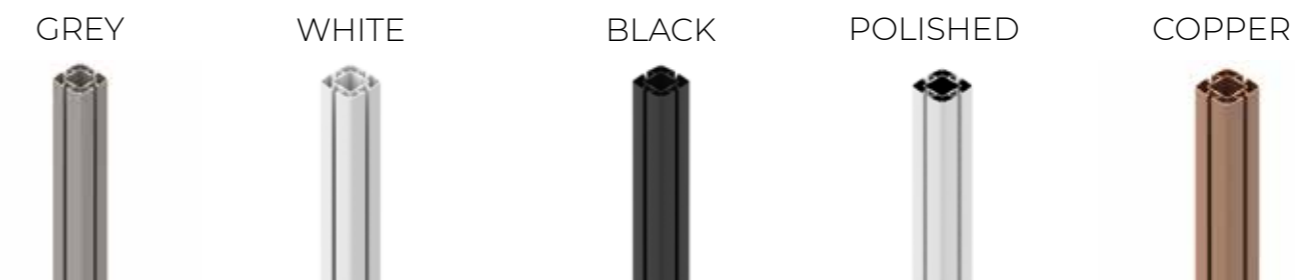
## CHOOSE FROM 12 CLOTH COLOURS



## POSSIBLE SETUPS



## CHOOSE FROM 5 FRAME COLOURS



 **3 WEEKS**

Specifications	
Free protectioncover	no
Cantilever sunshade	yes
Closes towards the pole	yes
Light included	optional
Fade-resistant cloth	yes 7-8/-
Pressured gas spring	yes
Tiltable	no
With rotating device	yes
Waterproof cloth	yes
Operating system	One-move
Weight cloth per m <sup>2</sup>	290 grams
Number of ribs	8
Possibility of logo printing	yes
Closes over the table	yes
Connectable with gutters	yes
Electrically operated	Quattro 250



## PRICES P6 PRO 1/2



Item number	Type	Description	RAL 9007 excl. VAT	RAL 9007 incl. VAT	Black/White excl. VAT	Black/White incl. VAT	Polished/Cop- per excl. VAT	Polished/Cop- per incl. VAT
p61.3500.colour	P6 Uno	Multi pole + 1 sunshade RND	1155,37	1398,-	1200,00	1452,-	1418,18	1716,-
p61.2525.colour	P6 Uno	Multi pole + 1 sunshade SQR	1125,62	1362,-	1170,25	1416,-	1378,51	1668,-
p61.4000.colour	P6 Uno	Multi pole + 1 sunshade RND XL	1413,22	1710,-	1467,77	1776,-	1715,70	2076,-
p61.3030.colour	P6 Uno	Multi pole + 1 sunshade SQR XL	1333,88	1614,-	1388,43	1680,-	1616,53	1956,-
p62.3500.colour	P6 Duo	Multi pole + 2 sunshades RND	2062,81	2496,-	2137,19	2586,-	2504,13	3030,-
p62.2525.colour	P6 Duo	Multi pole + 2 sunshades SQR	2003,31	2424,-	2077,69	2514,-	2424,79	2934,-
p62.4000.colour	P6 Duo	Multi pole + 2 sunshades RND XL	2578,51	3120,-	2672,73	3234,-	3099,17	3750,-
p62.3030.colour	P6 Duo	Multi pole + 2 sunshades SQR XL	2419,83	2928,-	2514,05	3042,-	2900,83	3510,-
p63.2525.colour	P6 Trio	Multi pole + 3 sunshades SQR	2880,99	3486,-	2985,12	3612,-	3471,07	4200,-
p63.3030.colour	P6 Trio	Multi pole + 3 sunshades SQR XL	3505,79	4242,-	3639,67	4404,-	4185,12	5064,-
p64.2525.colour	P6 Quattro	Multi pole + 4 sunshades SQR	3758,68	4548,-	3892,56	4710,-	4517,36	5466,-
p64.3030.colour	P6 Quattro	Multi pole + 4 sunshades SQR XL	4591,74	5556,-	4765,29	5766,-	5469,42	6618,-
Item number	Type	Description	excl VAT	Incl. VAT				
p6.9090.00	Mounting	Warm galvanised tile base 90x90	386,78	468,-				
p6.1010.00	Mounting	Warm galvanised tile base 100x100	406,61	492,-				
p6.9000.11	Mounting	Ground anchor adjustable 15 degrees	223,14	270,-				
p6m.200.00	Mounting	Wallfixation (2x) not suitable for RND or RND XL	79,34	96,-				
p6.7070.00	Mounting	Vloerplaat 70x70 cm	337,19	408,-				
p6.5070.00	Mounting	Vloerplaat 50x70 cm	332,23	402,-				
p67.100.colour	Additional	Alu cover for tile base 90x90 or 100x100 cm	228,10	276,-	247,93	300,-	247,93	300,-

## PRICES P6 PRO 2/2

Item number	Type	Description	excl VAT	incl. VAT
p671.50.50	Additional	LED light UNO + remote + dimmable module + transfo 230V/24V	337,19	408,-
p672.50.50	Additional	LED light DUO + remote + dimmable module + transfo 230V/24V	406,61	492,-
p673.50.50	Additional	LED light TRIO + remote + dimmable module + transfo 230V/24V	476,03	576,-
p674.50.50	Additional	LED light QUATTRO + remote + dimmable module + transfo 230V/24V	545,45	660,-
Item number	Type	Description	excl VAT	incl. VAT
p6hm25.colour	Additional	Protectioncover Surlast - WALL	109,09	132,-
p6hu25.colour	Additional	Protectioncover Surlast - UNO	143,80	174,-
p6hd25.colour	Additional	Protectioncover Surlast - DUO	168,60	204,-
p6hq25.colour	Additional	Protectioncover Surlast TRIO/QUATTRO	218,18	264,-
p6hm30.colour	Additional	Protectioncover XL Surlast - WALL	133,88	162,-
p6hu30.colour	Additional	Protectioncover XL Surlast - UNO	168,60	204,-
p6hd30.colour	Additional	Protectioncover XL Surlast - DUO	218,18	264,-
p6hq30.colour	Additional	Protectioncover XL Surlast - TRIO/QUATTRO	277,69	336,-
Item number	Type	Description	excl VAT	incl. VAT
p6.2500.colour	Additional	Raingutter SQR (per piece)	49,59	60,-
p6.3000.colour	Additional	Raingutter SQR XL (per piece)	54,55	66,-
p67.999.50	Additional	Swivelwheels with brake (per 4 pieces) exclusively for UNO-version	99,17	120,-
p67.150.50	Additional	Heater 1500W, not for wall mounting	287,60	348,-
p67.101.50	Additional	Single socket for heating P6	39,67	48,-
p67.102.50	Additional	Double socket for heating P6	59,50	72,-

Images of feet and anchors can be found on pages 96-97

Lighting and heating can be found on pages 82-87